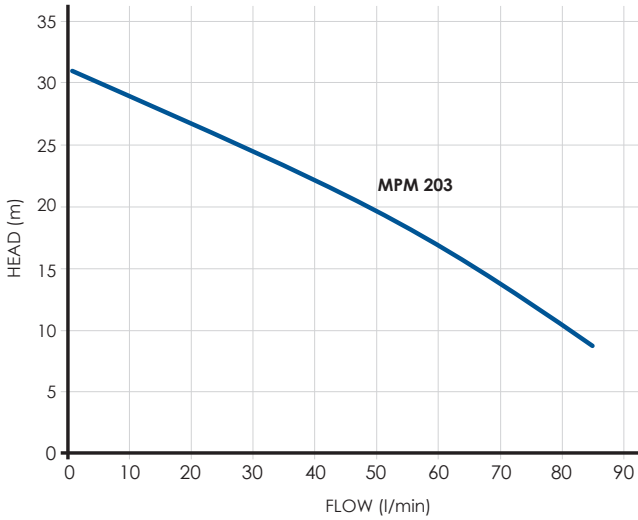


# Calpeda MPM



- Multi stage centrifugal submersible pumps with pump jacket in chrome nickel stainless steel
- Vertical top discharge port
- For clean water containing solids up to 2 mm grain size.
- Ideal for effluent grey water to feed out to irrigation drip lines, emptying tanks
- 10m cable



## PERFORMANCE GUIDE

Code	Max Head (m)	Max Flow (l/min)	Max Pressure (psi)	Max Suction Depth (m)	Outlet (mm)	Float
PUCALMPM203G	30	83	42	5	32	Y
PUCALMPM203SG	30	83	42	5	32	N

## ELECTRICAL DATA

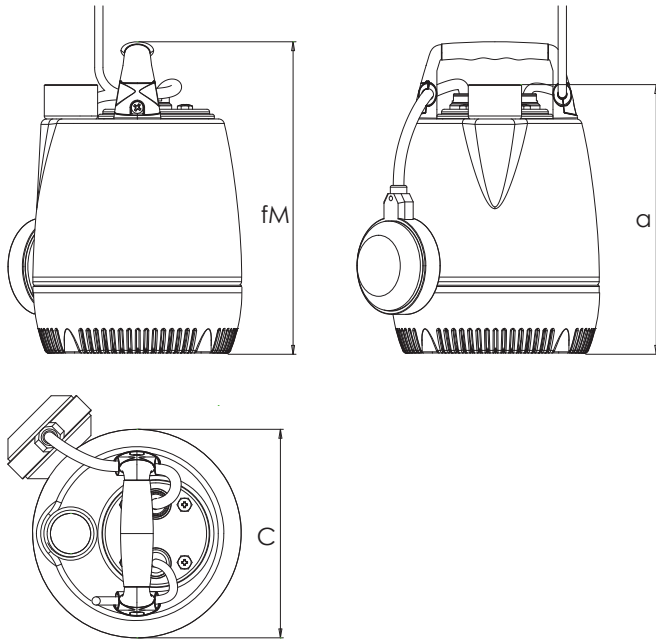
Code	Current Type	kW	Hp	Amps	RPM/min	Capacitor (µF)	Insulation Class	Voltage (V)	Frequency (Hz)
PUCALMPM203G	Single	0.37	0.5	3.5	2900	12.5	F	230	50
PUCALMPM203SG	Single	0.37	0.5	3.5	2900	12.5	F	230	50



# Calpeda MPM



- Multi stage centrifugal submersible pumps with pump jacket in chrome nickel stainless steel
- Vertical top discharge port
- For clean water containing solids up to 2 mm grain size.
- Ideal for effluent grey water to feed out to irrigation drip lines, emptying tanks
- 10m cable



## DIMENSIONS + WEIGHTS

Code	fM (mm)	a (mm)	c (mm)	Weight (kg)
PUCALMPM203G	350	315	176	7
PUCALMPM203SG	350	315	176	7

