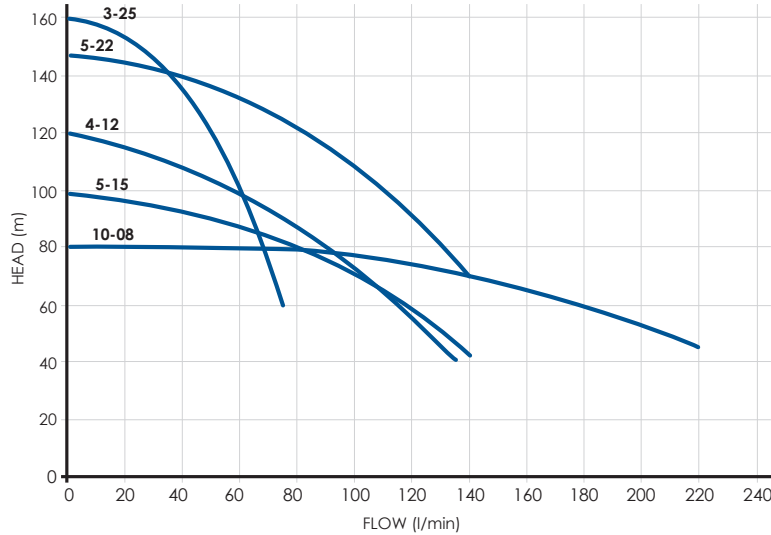


Davies Pumps MVI Series



- Vertical multistage centrifugal surface pump
- Typical uses water supply from storage tanks, pressure boosting in high rise buildings, water treatment plants, steam boiler feed, industrial circulation, farm water supply
- 304 Stainless steel impellers and diffusers
- Pump body only requires a single or three phase motor
- Flange set included
- Liquid temperature range: -15°C to +120°C



PERFORMANCE GUIDE

Code	Max Head (m)	Max Flow (l/min)	Max Pressure (PSI)	Inlet (mm)	Outlet (mm)	Stages
PUDAVMVI 3-25	160	75	227	32	32	25
PUDAVMVI 4-12	120	135	170	32	32	12
PUDAVMVI 5-15	98	140	139	32	32	15
PUDAVMVI 5-22	148	140	210	32	32	22
PUDAVMVI10-08	80	220	113	40	40	8

MOTOR REQUIREMENTS - ELECTRICAL DATA

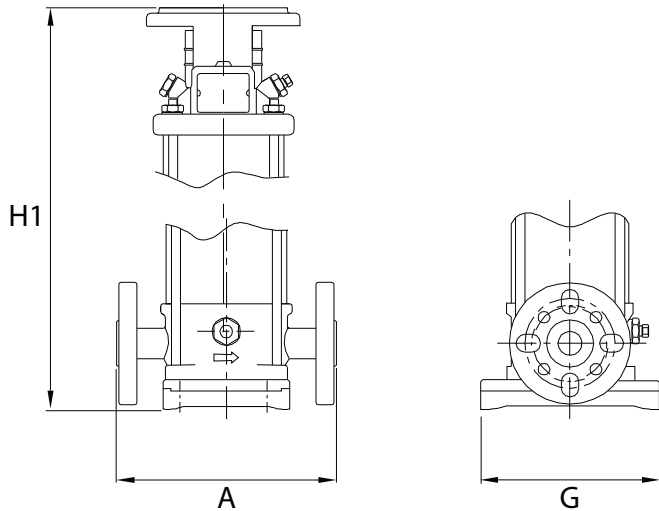
Code	Current Type	kW	Hp	Amps	Pole	Flange	Flange Connection (mm)	Voltage (V)	Frequency (Hz)
PUDAVMVI 3-25	Single/Three	2.2	3	7.5/4.3	2	B14	32	230/400	50
PUDAVMVI 4-12	Single/Three	2.2	3	7.5/4.3	2	B14	32	230/400	50
PUDAVMVI 5-15	Single/Three	2.2	3	7.5/4.3	2	B14	32	230/400	50
PUDAVMVI 5-22	Three	4	5.5	7.1	2	B14	32	400	50
PUDAVMVI10-08	Three	3	4	5.7	2	B14	40	400	50



Davies Pumps MVI Series



- Vertical multistage centrifugal surface pump
- Typical uses water supply from storage tanks, pressure boosting in high rise buildings, water treatment plants, steam boiler feed, industrial circulation, farm water supply
- 304 Stainless steel impellers and diffusers
- Pump body only requires a single or three phase motor
- Liquid temperature range: -15°C to +120°C



DIMENSIONS + WEIGHTS

Code	H1 (mm)	A (mm)	G (mm)	Weight (kg)
PUDAVMVI 3-25	697	250	210	43.1
PUDAVMVI 4-12	571	250	210	38.8
PUDAVMVI 5-15	655	250	210	41.9
PUDAVMVI 5-22	848	250	210	60.4
PUDAVMVI10-08	548	280	248	60

