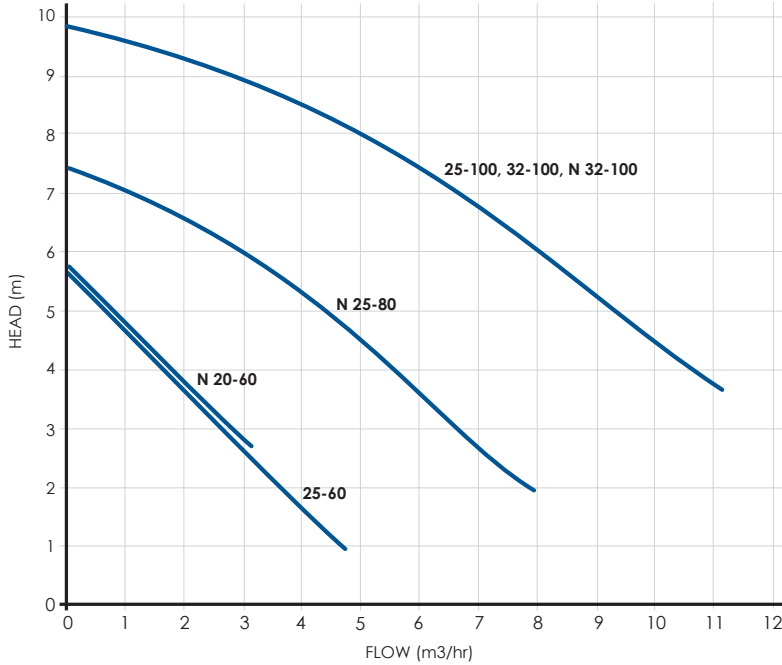


Grundfos UPS Series



- Inline circulator pumps for clean water
- Stainless steel or cast iron pump body
- Suitable for hot or cold water systems
- 1 - 3 speed
- Requires unions for installation



PERFORMANCE GUIDE

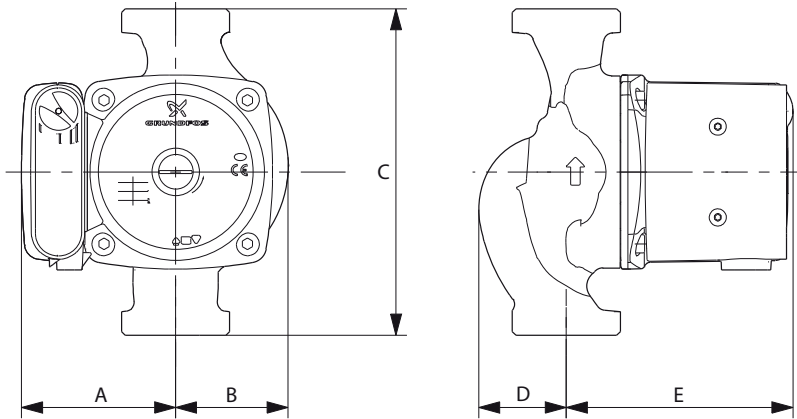
Code	Max Head (m)	Max Flow (m ³ /hr)	Max Pressure (psi)	Speed	Max Liquid Temp (°C)	Flange	Pipe Connection (inch)	Port to Port (mm)	Pump Body
PUGRUUPS20-60-150	6	13.5	9	3	110	N	G 1 1/4	150	Stainless
PUGRUUPS25-80-180	7.4	8	10	3	110	N	G 1 1/4	180	Stainless
PUGRUUPS32-100-180	9.9	13.5	13	3	110	N	G 2	180	Stainless
PUGRUUPS25-60-130	5.7	3	8	3	110	N	G 1 1/2	130	Cast Iron
PUGRUUPS25-60-180	5.5	4	8	3	110	N	G 1 1/2	180	Cast Iron
PUGRUUPS25-100-180	9.9	11	13	3	110	N	G 1 1/2	180	Cast Iron
PUGRUUPS32-100-180	9.8	13.5	13	3	110	N	G 2	180	Cast Iron



Grundfos UPS Series



- Inline circulator pumps
- Stainless steel or cast iron
- Suitable for hot or cold water systems
- 1 - 3 speed
- Requires unions for installation



ELECTRICAL DATA

Code	Current Type	Max Power Input (W)	Current in Speed (A)	RPM/min	Capacitor (µF)	Insulation Class	Voltage (V)	Frequency (Hz)
PUGRUUPSN20-60-150	Single	90	0.37	2850	2.5	H	240	50
PUGRUUPSN25-80-180	Single	165	0.70	2850	4	F	230	50
PUGRUUPSN32-100-180	Single	345	1.52	2850	9.5	H	230	50

PUGRUUPS25-60-130	Single	70	0.30	2850	2.5	F	230	50
PUGRUUPS25-60-180	Single	60	0.28	2850	2.5	F	230	50
PUGRUUPS25-100-180	Single	345	1.52	2850	9.5	H	230	50
PUGRUUPS32-100-180	Single	345	1.52	2850	9.5	H	230	50

DIMENSIONS

Code	A (mm)	B (mm)	C (mm)	D (mm)	E (mm)	Weight (kg)
PUGRUUPSN20-60-150	75	51	150	28	102	3
PUGRUUPSN25-80-180	85	62	180	46	125	5.2
PUGRUUPSN32-100-180	90	68	180	47	150	6.9

PUGRUUPS25-60-130	75	51	130	32	102	2.6
PUGRUUPS25-60-180	75	51	180	32	102	2.8
PUGRUUPS25-100-180	90	68	180	47	150	6.8
PUGRUUPS32-100-180	90	68	180	47	150	6.9

