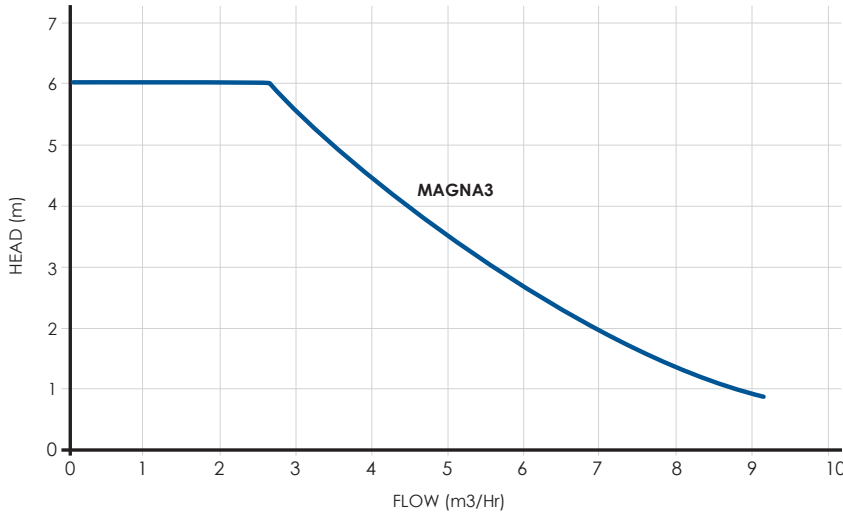


Grundfos Magna3



- Inline circulating pump
- Ideal for industrial heating and cooling systems
- Control and monitoring functions
- Molded insulation shells for optimal thermal insulation
- Cast iron body
- Requires unions



PERFORMANCE GUIDE							
Code	Max Head (m)	Max Flow (m ³ /Hr)	Max Pressure (psi)	Max Liquid Temp (°C)	Pipe Connection (inch)	Port to Port length (mm)	Pump Body
PUGRUMAGNA3-25-60-180	6	9	8	110	G 1 1/2	180	Cast Iron

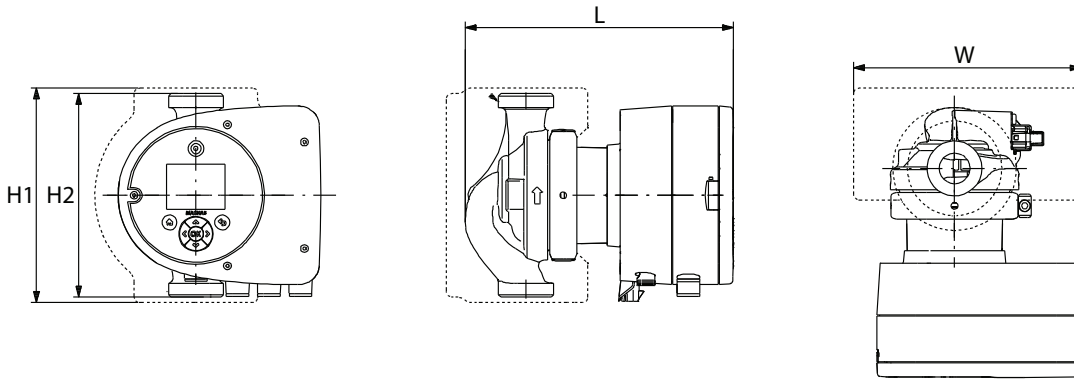
ELECTRICAL DATA						
Code	Current Type	Max Power Input (W)	Current in Speed (A)	Insulation Class	Voltage (V)	Frequency (Hz)
PUGRUMAGNA3-25-60-180	Single	84	0.75	F	230	50



Grundfos Magna3



- Inline circulating pump
- Ideal for industrial heating and cooling systems
- Control and monitoring functions
- Molded insulation shells for optimal thermal insulation
- Cast iron body
- Requires unions



DIMENSIONS

Code	H1 (mm)	H2 (mm)	L (mm)	W (mm)	Weight (kg)
PUGRUMAGNA3-25-60-180	190	180	239	203	5.8

