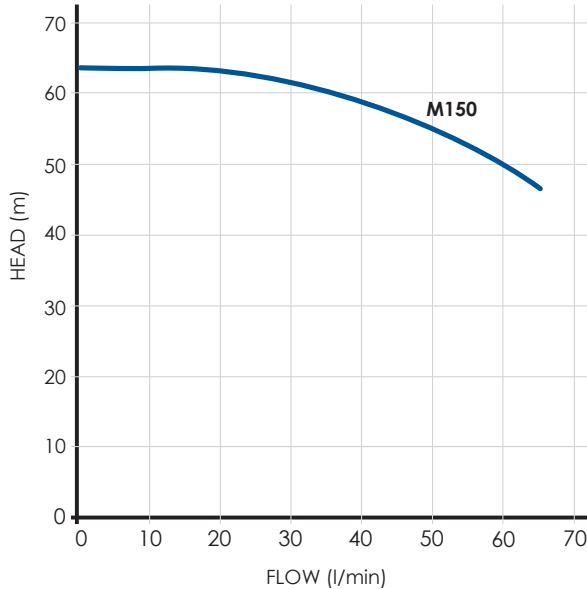


# Saer M150

**SAER**  
ELETTROPOMPE

- Clean water 2 stage jet pump
- Cast iron pump body
- Ideal for light commercial and lifestyle block applications
- Can be used to pump from wells, bores or tanks down to 7m
- Made in Italy



## PERFORMANCE GUIDE

Code	No. of Bathrooms	Max Head (m)	Max Flow (l/min)	Max Pressure (psi)	Max Suction Depth (m)	Inlet (mm)	Outlet (mm)
PUSAERM150M	1-1.5	66	67	93	7	40	25
PUSAERM150T	1-1.5	66	67	93	7	40	25

## ELECTRICAL DATA

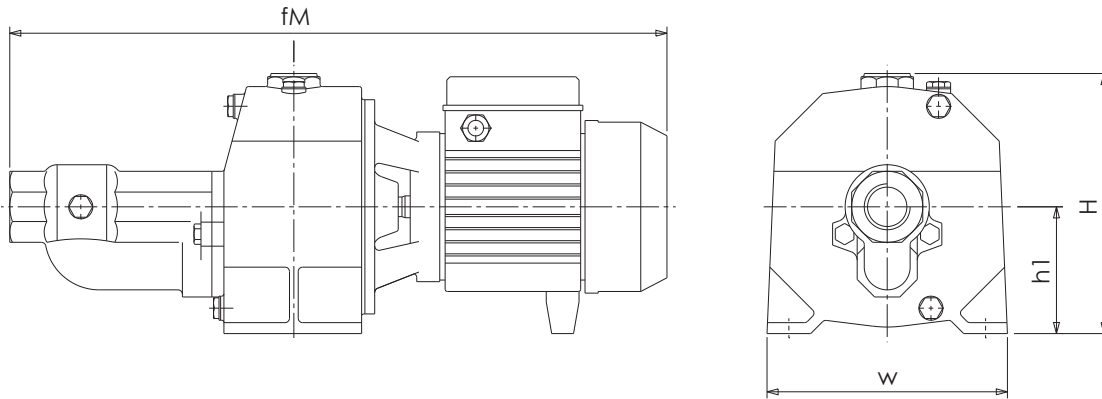
Code	Current Type	kW	Hp	Amps	RPM/min	Capacitor (µF)	Insulation Class	Voltage (V)	Frequency (Hz)
PUSAERM150M	Single	1.1	1.5	9.5	2850	31.5	F	230	50
PUSAERM150T	Three	1.1	1.5	6/3.5	2850	N/A	F	230/400	50



# Saer M150

**SAER**<sup>®</sup>  
ELETTROPOMPE

- Clean water 2 stage jet pump
- Cast iron pump body
- Ideal for light commercial and lifestyle block applications
- Can be used to pump from wells, bores or tanks down to 7m
- Made in Italy



## DIMENSIONS + WEIGHTS

Code	fM (mm)	W (mm)	H (mm)	h1 (mm)	Weight (kg)
PUSAERM150M	601	34	235	114	28
PUSAERM150T	601	34	235	114	30

