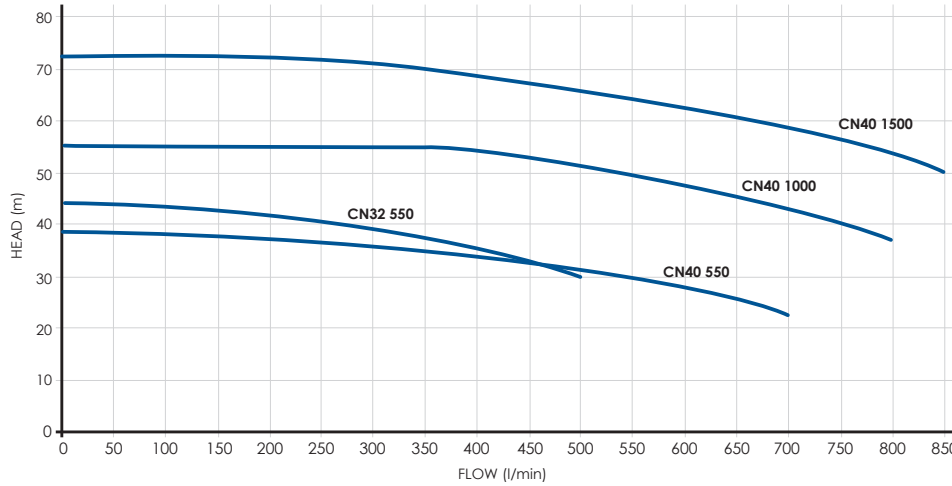
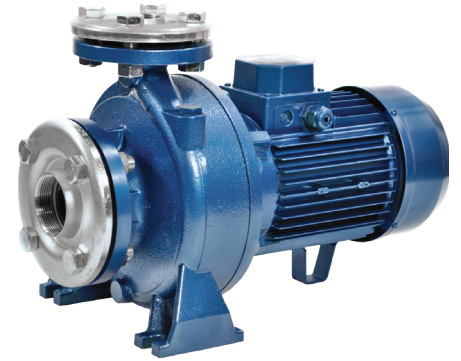


Davies Pumps CN Series



- Commonly used for wash down applications
- Single impeller pumps
- High pressure and volume
- Cast iron construction with flanged inlet and outlet



PERFORMANCE GUIDE

Code	Max Head (m)	Max Flow (l/min)	Max Pressure (PSI)	Inlet (mm)	Outlet (mm)	Flange Kit
CN32-550	44	500	62	50	32	Y
CN40-550	38	700	54	65	40	Y
CN40-1000	55	800	78	65	40	Y
CN40-1500	72	850	102	65	40	Y

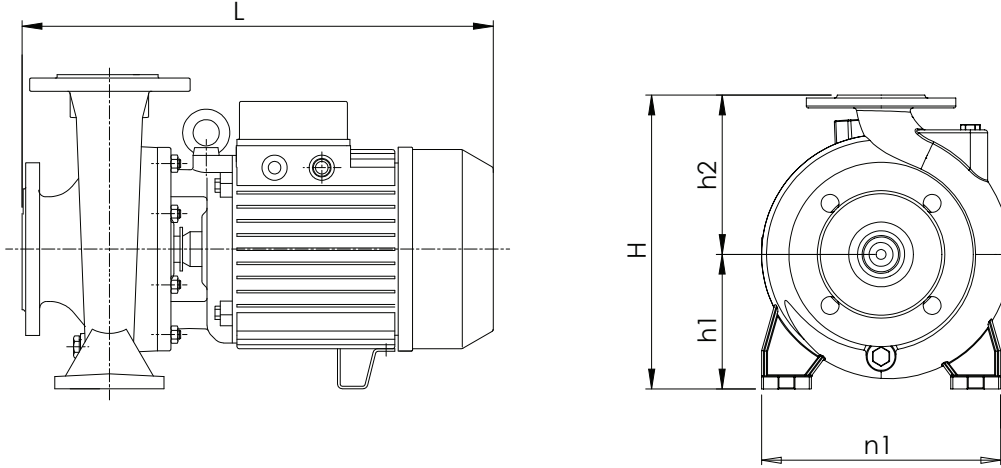
ELECTRICAL DATA

Code	Current Type	kW	Hp	Amps	RPM/min	Insulation Class	Voltage (V)	Frequency (Hz)
CN32-550	Three	4	5.5	15/8.7	2900	F	230/400	50
CN40-550	Three	4	5.5	16/7.6	2900	F	230/400	50
CN40-1000	Three	7.5	10	13.9	2900	F	400	50
CN40-1500	Three	11	15	23.5	2900	F	400	50



Davies Pumps CN Series

- Commonly used for wash down applications
- Single impeller pumps
- High pressure and volume
- Cast iron construction with flanged inlet and outlet



DIMENSIONS + WEIGHTS

Code	L (mm)	H (mm)	h1 (mm)	h2 (mm)	n1 (mm)	Weight (kg)
CN32-550	468	340	160	180	240	54
CN40-550	463	292	132	160	240	52
CN40-1000	557	340	160	180	265	78
CN40-1500	600	405	180	225	320	100

